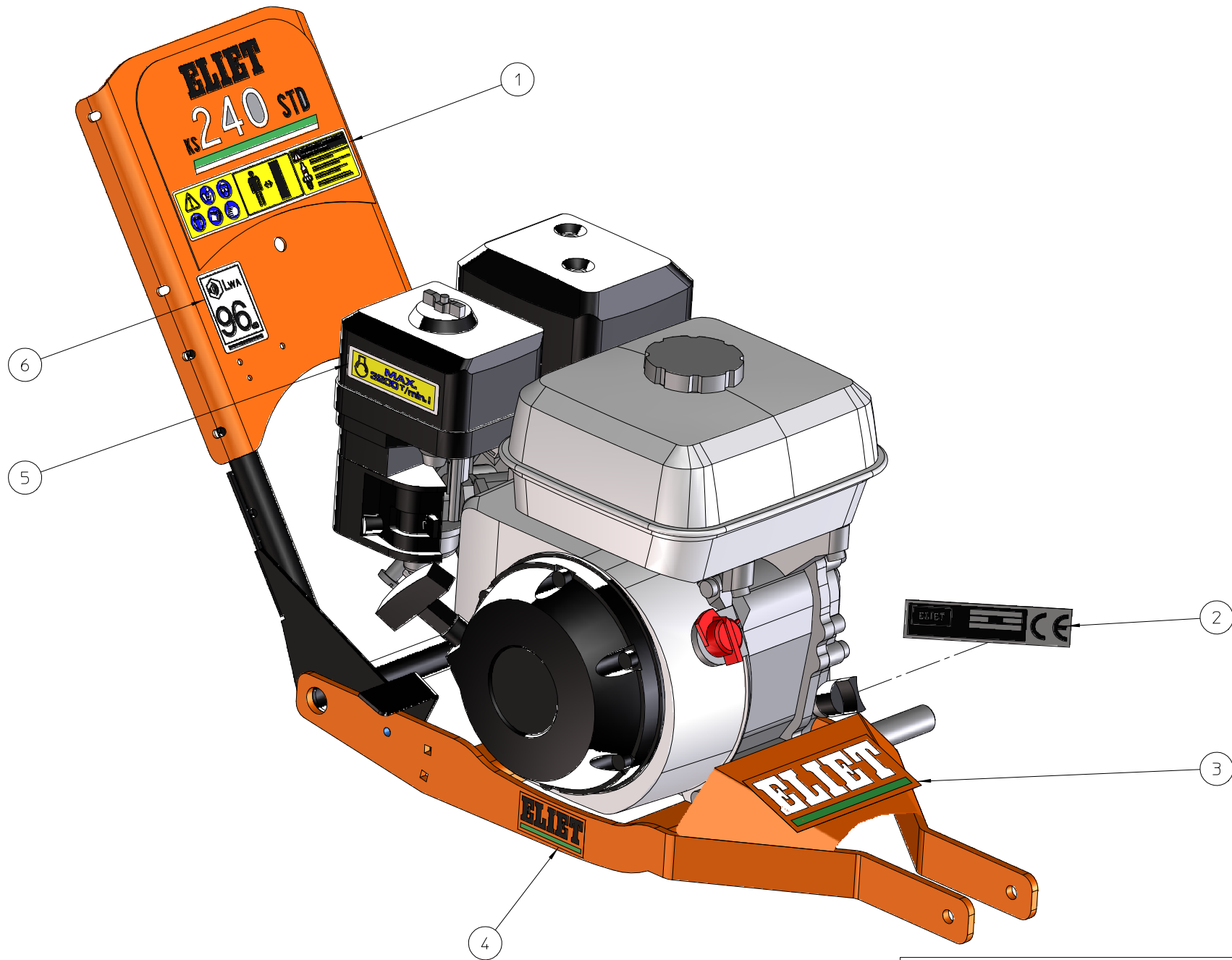


ELIET KS STD - OPTION

ELIET KS 240 – GENERAL					
NO	MMA 01 110 150	REV	2	DATE	2023/04/27

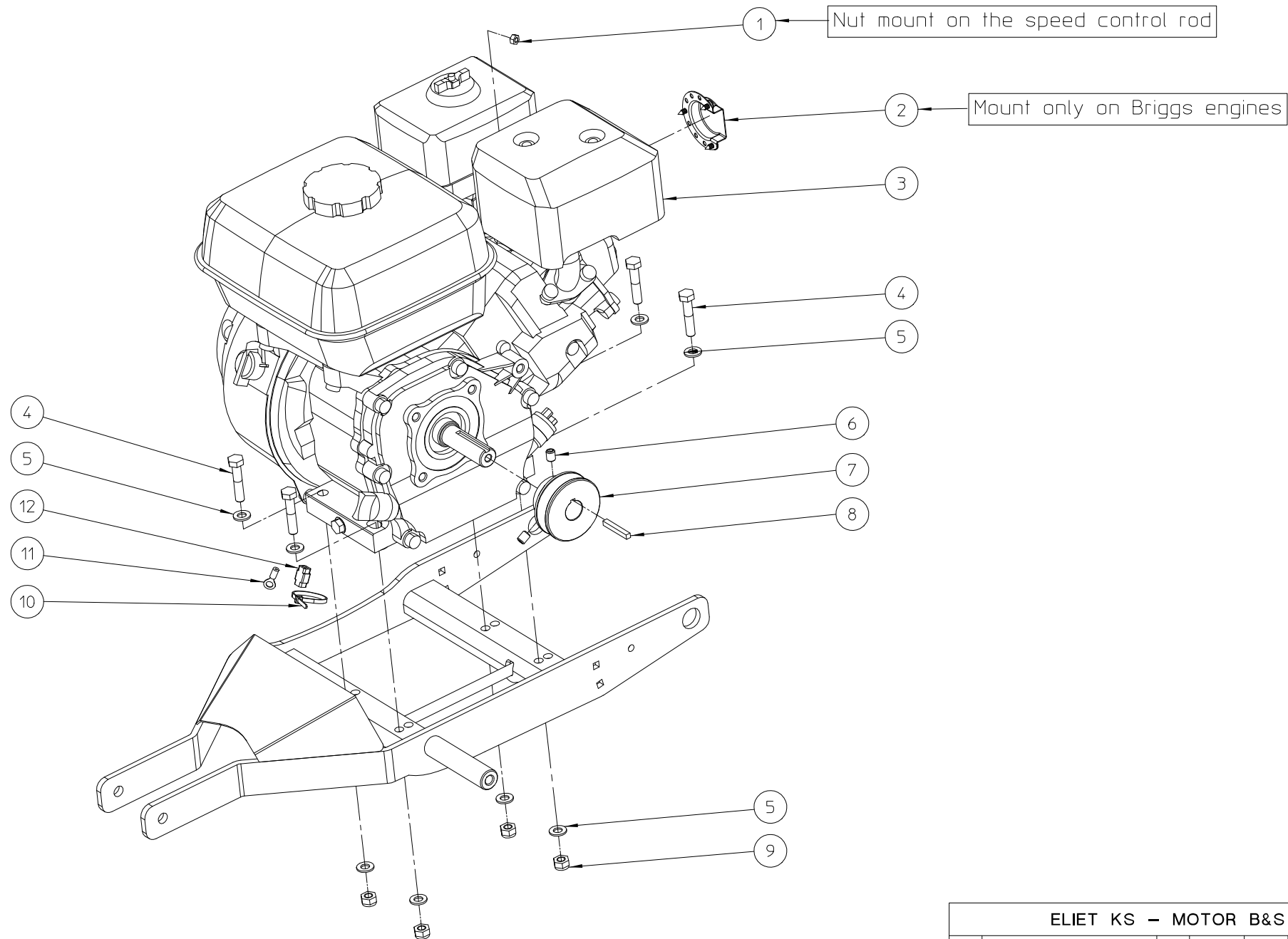
#	Order nr	article description	quantity
1	MMA 01 110 670	ks std - stickers	1
2	MMA 01 110 610	ks - motor b&s	1
3	MMA 01 110 530	ks std - handlebar	1
4	MMA 01 110 540	ks std - cutting head	1
5	MMA 01 110 510	ks - chassis	1
6	MMA 01 110 580	ks std - wheels	1
7	MMA 01 110 900	ks std - options	1



ELIET KS STD – STICKERS

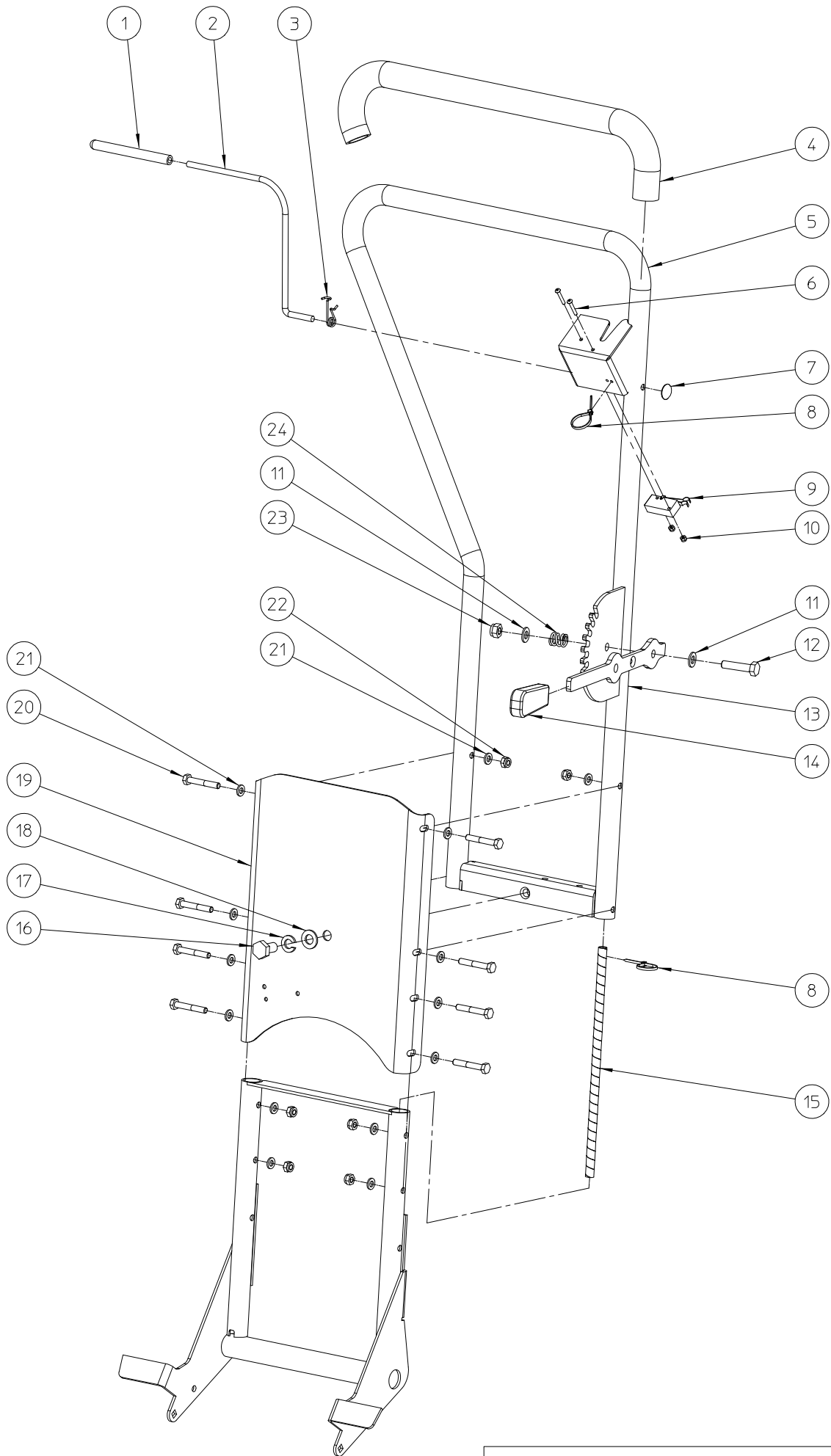
NO	MMA 01 110 670	REV	1	DATE	2023/04/27
----	----------------	-----	---	------	------------

#	Order nr	article description	quantity
1	BQ 501 110 000	sticker eliet ks 240	1
2	BQ 505 010 010	identity sticker ce 120x30	1
3	BQ 501 010 020	sticker eliet 130x60	1
4	BQ 501 010 010	sticker eliet 65x30	1
5	BQ 505 010 030	sticker max 3200 rpm 90x25	1
6	BQ 505 112 096	sticker sound level 96 db	1



ELIET KS – MOTOR B&S				
NO	MMA 01 110 610	REV	1	DATE 2023/04/27

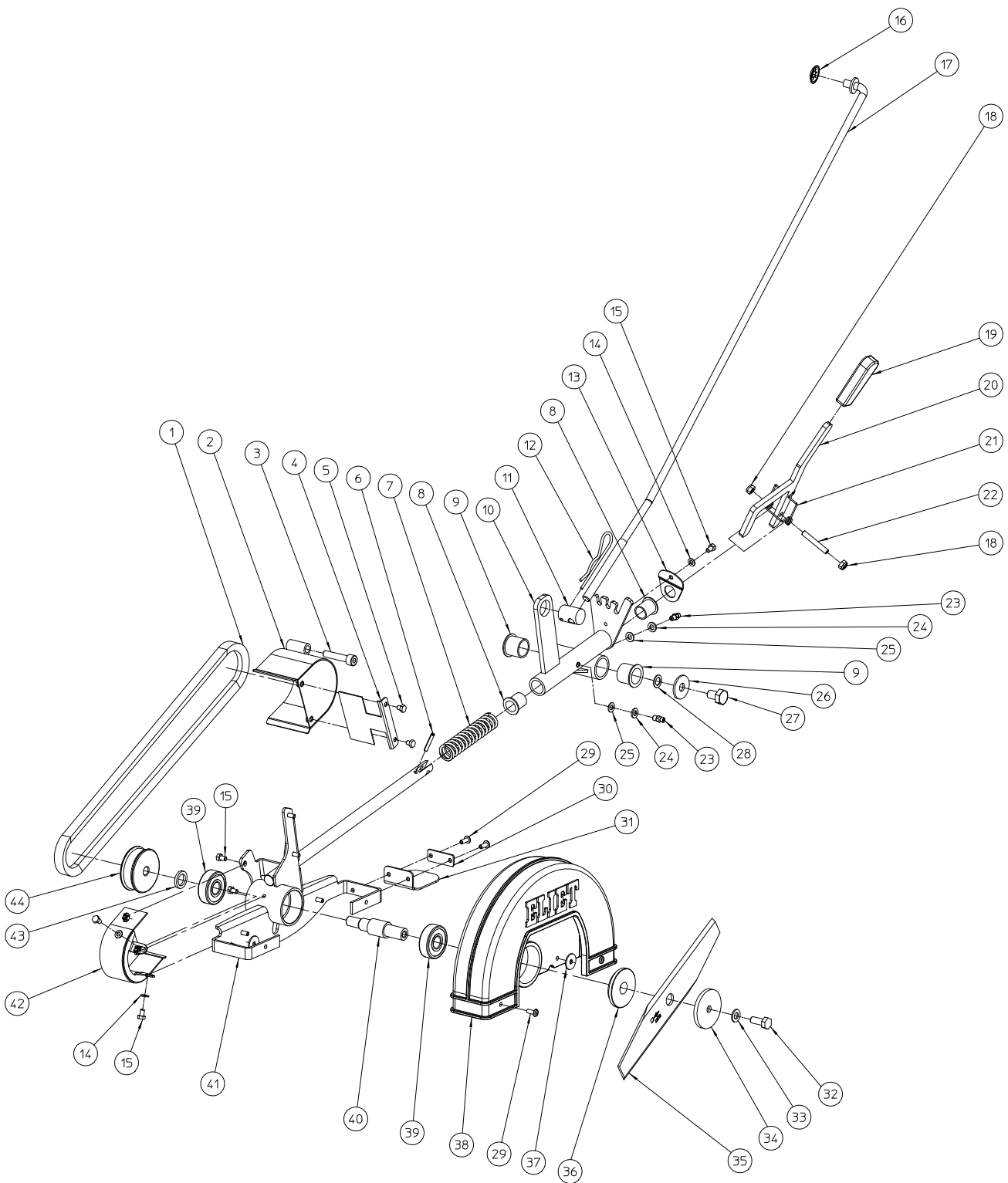
#	Order nr	article description	quantity
1	BS 501 000 500	nut m5 din 934	1
2	BM 261 393 760		1
3	BM 202 505 500	honda gp 160	1
4	BS 511 000 840	bolt m8x40 din 931	4
5	BS 531 000 800	washer m8 din 125	8
6	BS 023 000 810	set screw m8x10 din 916	2
7	BA 565 705 601	pulley spa 56x3/4"x3/16"	1
8	BB 342 050 535	key 4.7x4.7x35 din 6880	1
9	BS 502 000 800	self locking nut m8 din 985	4
10	BE 043 010 140	wrap tie 140x3.5	1
11	BE 031 060 100	eyed terminal m4	1
12	BE 031 034 201	blue wire connector 2.5mm	1



ELIET KS STD – HANDLEBAR

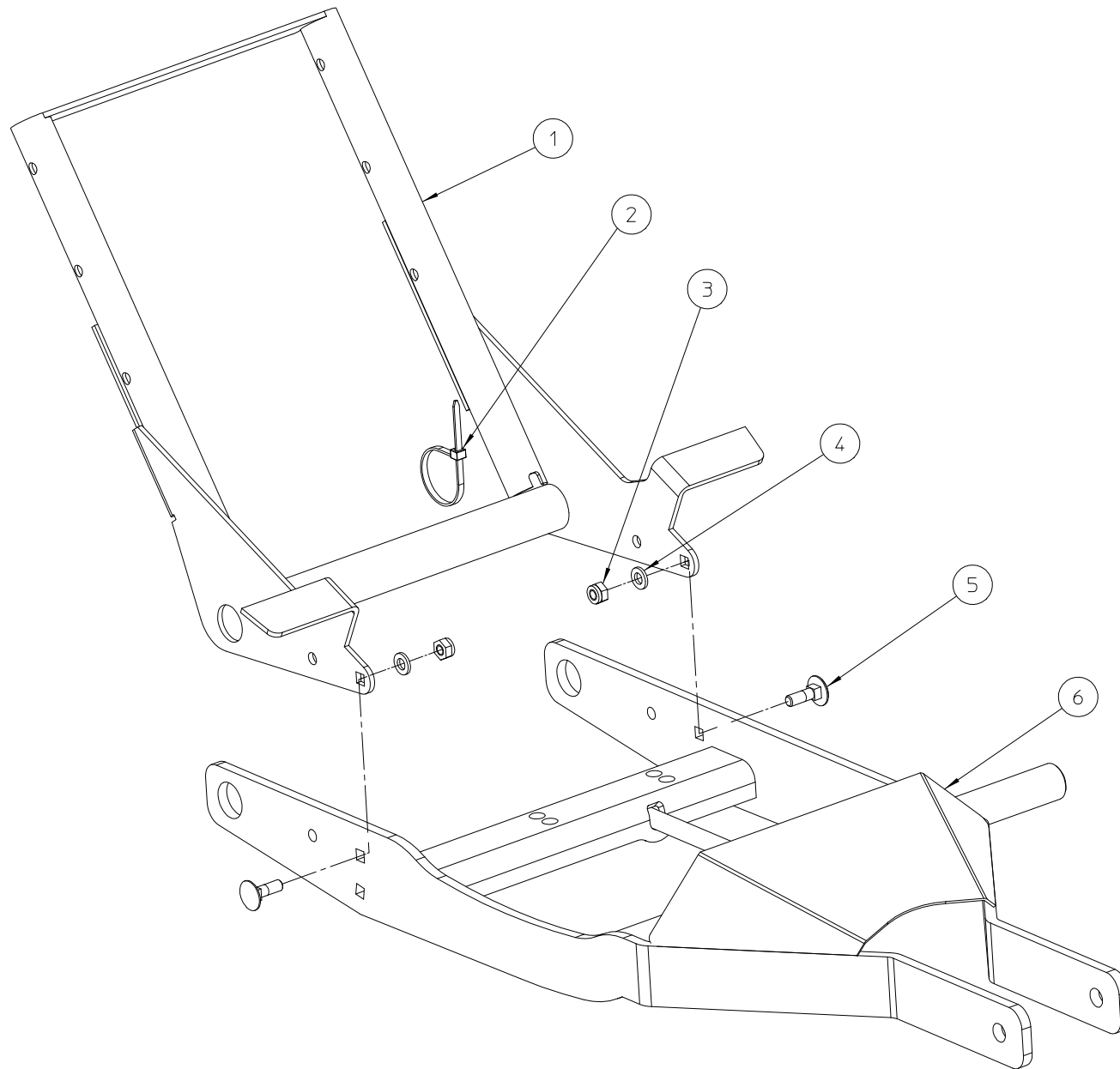
NO	MMA 01 110 530	REV	2	DATE	2023/04/27
----	----------------	-----	---	------	------------

#	Order nr	article description	quantity
1	BR 020 606 990	rubber sleeve 6x100	1
2	MPA 01 110 140	safety handle (presence control)	1
3	BV 911 000 040	spring	1
4	BN 231 001 057	soft rubber grip dia 22mm (l=570mm)	1
5	MPA 01 111 120	upper steering bracket - ks 2020	1
6	BS 522 500 320	screw m3x20 iso 7380	2
7	BB 011 000 060	starlock 6mm	1
8	BE 043 010 100	wrap tie 100x2.5	2
9	BE 120 010 507	safety switch	1
10	BS 502 000 300	self locking nut m3 din 985	2
11	BS 531 000 800	washer m8 din 125	2
12	BS 512 000 835	bolt m8x35 din 933	1
13	MPA 01 110 060	height adjustment lever	1
14	BN 230 100 202	plastic handgripp 15x5x6 pvc	1
15	BE 047 040 250	braided sheath 4mm 25cm	1
16	BS 512 001 020	bolt m10x20 din 933	1
17	BS 533 001 000	lock washer m10 din 127b	1
18	BS 531 001 000	washer m10 din 125	1
19	MPA 01 111 110		1
20	BS 511 000 640	bolt m6x40 din 931	8
21	BS 531 000 600	washer m6 din 125	16
22	BS 502 000 600	self locking nut m6 din 985	8
23	BS 502 000 800	self locking nut m8 din 985	1
24	BV 911 000 010	spring 14x2x16	1



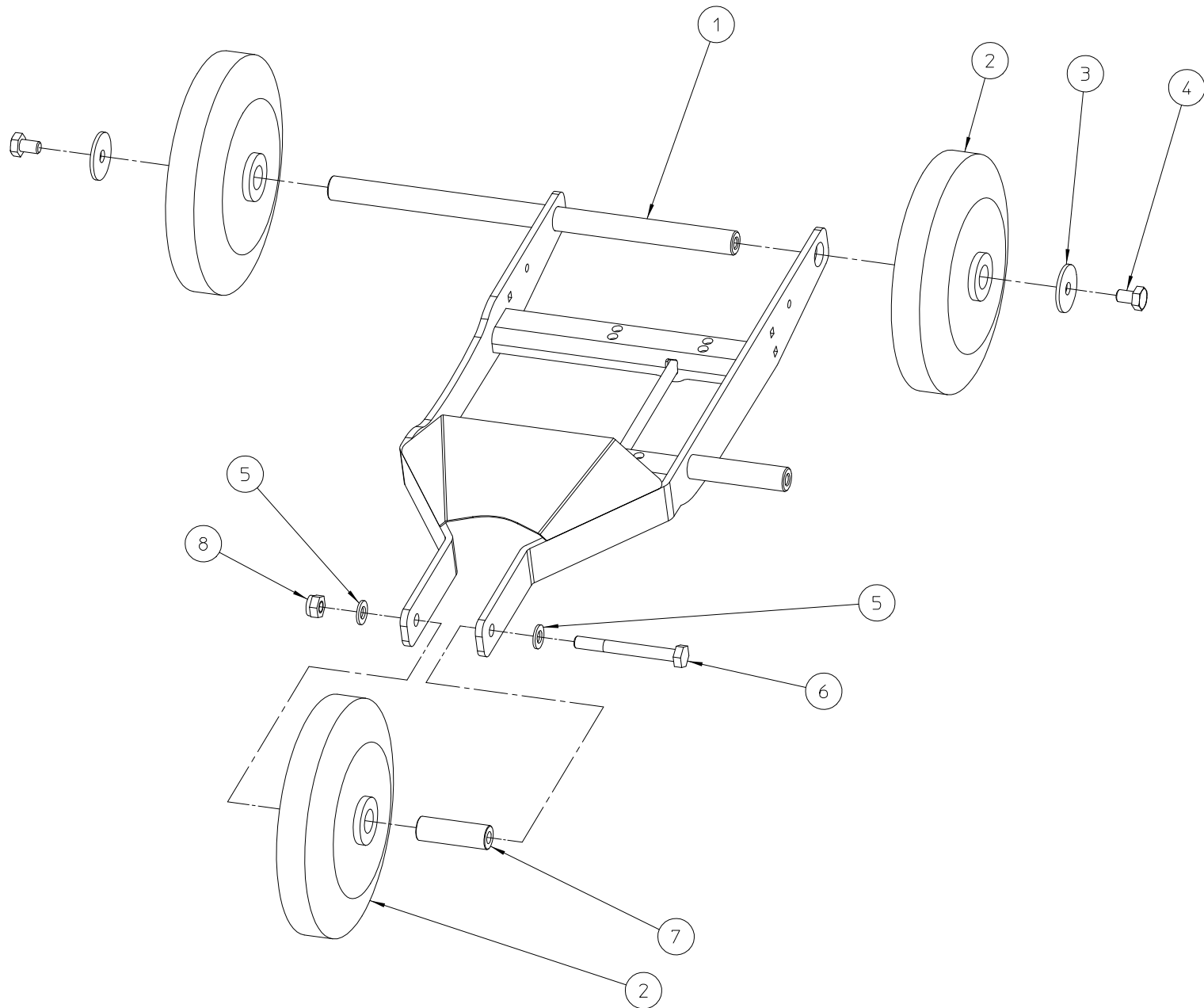
ELIET KS STD - CUTTING HEAD						
NO	MMA 01 110 540	REV	2	DATE	2023/04/27	

#	Order nr	article description	quantity
1	BA 522 208 250	belt a 32.5	1
2	MPA 01 110 161	safety guard pulley (engine) - 2008	1
3	BS 521 140 840	screw unf 5/16x1"1/2 din 912	1
4	MPA 01 110 151	cover pulley (engine) - 2008	1
5	BS 512 000 506	bolt m5x6 din 933	2
6	BB 120 040 300	locking 4x30 din 1481	1
7	BV 911 000 030	spring 23x3x140	1
8	BR 112 152 100	nylon bushing with collar (15.4/18/23x21/1)	2
9	BR 112 202 100	nylon bushing with collar (20/24/29x21/1)	2
10	MPA 01 110 110	crank for height adjustment	1
11	MPA 01 110 100	positioning cylinder	1
12	BB 040 103 060	hairpin cotter 3mm din 11024	1
13	MPA 01 110 190	retainer plate	1
14	BS 531 000 500	washer m5 din 125	3
15	BS 512 000 508	bolt m5x8 din 933	5
16	BB 011 000 090	starlock 9mm	1
17	MPA 01 110 080	height adjustment rod	1
18	BS 502 000 600	self locking nut m6 din 985	2
19	BN 230 100 202	plastic handgripp 15x5x6 pvc	1
20	MPA 01 110 120	angle setting lever	1
21	BV 911 000 020	recall spring	1
22	BS 523 000 640	din 916 screw m6x40	1
23	BY 100 106 100	grease fitting m6 din 71412	2
24	BS 531 000 600	washer m6 din 125	2
25	BS 036 000 610	precision washer	2
26	BS 532 010 305	washer m10x30x2.5	1
27	BS 512 001 016	bolt m10x16 din 933	1
28	BS 036 001 010	precision washer 10x16x1	1
29	BB 221 005 160	pop plug steel 4.8x16 din 7337 a	8
30	MPA 01 110 240	retainer for rubber rubber flap	1
31	BR 910 000 120	antiprojection flap	1
32	BS 512 000 820	bolt m8x20 din 933	1
33	BS 531 000 800	washer m8 din 125	1
34	MPA 01 110 566	washer for blade fixing	1
35	BU 103 100 100	standard knife	1
36	MPA 01 110 568	washer	1
37	BS 532 005 202	washer m5x20x1.5	6
38	BR 900 000 560	knife guard	1
39	BL 001 504 203	bearing 6302 zz	2
40	MPA 01 110 564	blade shaft	1
41	MPA 01 111 205	upper steering bracket	1
42	MPA 01 110 600	safety guard pulley (knife shaft)	1
43	MPA 01 110 572	spacer	1
44	BA 565 705 001	pulley spa 50 m12x1.25	1



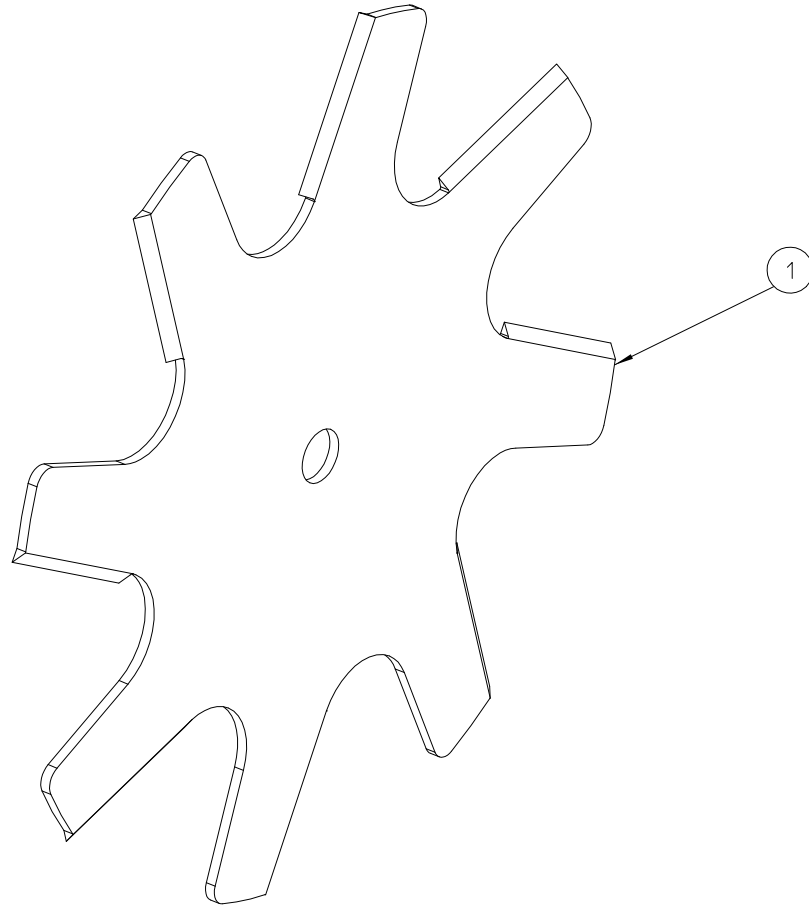
ELIET KS - CHASSIS					
NO	MMA 01 110 510	REV	1	DATE	2023/04/27

#	Order nr	article description	quantity
1	MPA 01 110 500	lower steering bracket	1
2	BE 043 010 140	wrap tie 140x3.5	1
3	BS 502 000 600	self locking nut m6 din 985	2
4	BS 531 000 600	washer m6 din 125	2
5	BS 554 100 620	bolt m6x20 din 603	2
6	MPA 01 110 040	chassis	1



ELIET KS STD - WHEELS				
NO	MMA 01 110 580	REV	1	DATE 2023/04/27

#	Order nr	article description	quantity
1	MPA 01 110 090	rear wheel axle	1
2	BW 120 020 000	wheel 200/50	3
3	BS 532 010 406	washer m10x40x3	2
4	BS 512 001 016	bolt m10x16 din 933	2
5	BS 531 001 000	washer m10 din 125	2
6	BS 511 001 049	bolt m10x90 din 931	1
7	MPA 01 360 300	wheel shaft	1
8	BS 502 001 000	self locking nut m10 din 985	1



ELIET KS STD – OPTIONS					
NO	MMA 01 110 900	REV	1	DATE	2023/04/27

#	Order nr	article description	quantity
1	BU 103 200 100	cutting disk 8 tooth (optional)	1